



**BRILLIANCE**<sup>™</sup>  
A HIGHER LIGHT FORM<sup>®</sup>



## 2022 AMBER GUIDE



BRILLIANCE WILDLIFE LIGHTING  
CERTIFIED PRODUCTS AND  
PRODUCTS UNDER REVIEW





## WHY AMBER?

Female sea turtles have always laid their eggs on beaches. Before the population of coastal cities, they used moonlight that reflected off of the ocean to navigate.

Now that these areas are highly populated, many female turtles are deterred from coming ashore to lay their eggs by the bright lights that decorate beachside homes, hotels, and businesses. When they do come ashore to lay their eggs, many female sea turtles, much like their hatchlings, often are unable to find their way to the ocean. This results in a rapidly decreasing sea turtle population.

In support of our mission, Brilliance strives to ensure that our products never harm animals. One of the ways we live out this mission is by producing Amber LED lights. The wavelength of the Amber lights are virtually invisible to sea turtles, making them a practical, beautiful, and safe alternative for coastal areas.

Brilliance LED lamps are patented under D735369, D735370, D735371, D735372, D735373.

Brilliance LED® is a registered trademark. "A Higher Light Form™" is a registered trademark of Brilliance LED.

© 2023 Brilliance LED®, LLC. All Rights Reserved.

Product images are for illustration purposes only. Actual products may vary. All products, product specifications, and data are subject to change without notice to improve reliability, function, design, or otherwise.

All product variations may not be available and in stock; some are available only via special order and are subject to special order terms, conditions, and minimum order quantities. Call 800-867-2108 for availability.

# TABLE OF CONTENTS

Micro G4 Amber	4
MR8 Amber	5
MR11 Amber	6
AR11 Amber	7
MR16 Amber	8
PAR36 Amber	9
Amber Strip Light	10
Amber Light Bar	11
Bryce	12
Sequoia	14
Zion	16
Tee Wall Washer	18
Surface Mount	19
Wall Wash	19
Redwood	20
Everglades	22
Aquabeam	24
Adjustable Aquabeam	25
Mini Beam In Amber	26
Wildlife Lighting Certified Products	27
Under Review When The Program Resumes	28



## ABOUT THE WILDLIFE LIGHTING PROGRAM

The Florida Fish and Wildlife Conservation Commission and the U.S. Fish and Wildlife Service have teamed up to develop the Wildlife Lighting Certification Program.

This program is designed to educate the public, building industries, and government officials on minimizing artificial light impacts to wildlife by identifying proper lighting methods and using appropriate lighting fixtures, lamps, and shields. For more information, visit [myfwc.com](http://myfwc.com).

# MICRO G4 AMBER



## DESCRIPTION

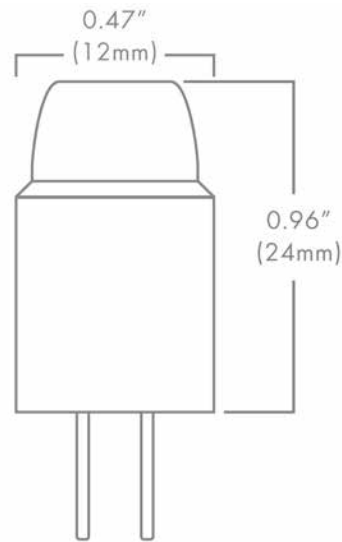
The Brilliance Micro G4 Bi-Pin is a sub-compact LED that features Brilliance's omni-directional beam pattern. This Micro G4 Bi-Pin is energy efficient and water resistant. It is designed specifically for landscape retrofit applications and is ideal for pathway lighting fixtures. Dimmable with Brilliance Dimmer and most magnetic transformers. Suitable for damp locations and for use in totally enclosed luminaires. Not for underwater use.

## FEATURES

- Ceramic technology
- UL Certified E360351

## MICRO G4 SPECS

Wattage	<b>1.2</b>
Volt Amps	<b>1.52</b>
Beam Spread	<b>Omni-directional</b>
Color	<b>Amber</b>
Operating Range	<b>8-14 VAC/DC</b>
CRI	<b>85</b>
IP	<b>65</b>
Lamp Life (hours)	<b>35,000</b>
Warranty (years)	<b>5</b>



Part Number: **BRI-MICRO-G4-XXXX**

↓  
Kelvin/Color



## WILDLIFE LIGHTING CERTIFICATION PROGRAM

Certification Number: 2018-036

Certification Requirements: Must be installed in a low mounted, downward directed and shielded fixture





# MR8 AMBER



## DESCRIPTION

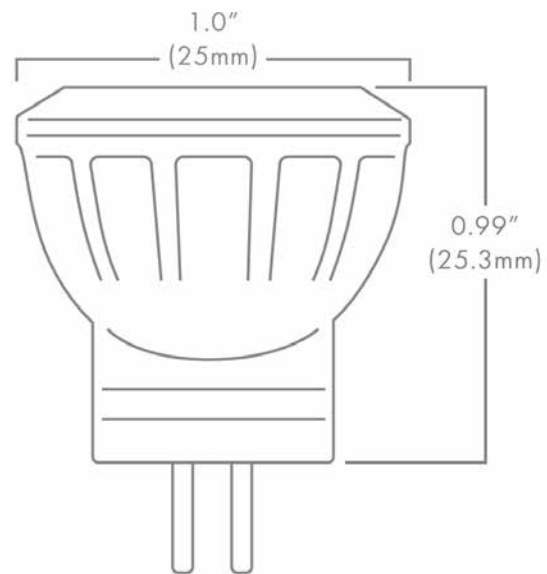
The Brilliance MR8 Bi-Pin is designed to fit in standard low voltage MR8 fixtures and offers a long lamp life. These LEDs are thermally engineered to operate in enclosed fixtures and provide added security by automatically cooling down and reducing lumen output when exposed to extreme heat, such as air temperatures above 125°F. There is no color shift when lumen output is reduced. Dimmable with Brilliance Dimmer and most magnetic transformers. Suitable for damp locations and for use in totally enclosed luminaires. Not for underwater use.

## MR8 FEATURES

- Earth tone colored housing
- Enhanced ESD (Electro-Static Discharge) protection (IEC-61000-4-2)
- Heat overload protection technology
- Fully potted PC board
- UL Certified E360351

## MR8 SPECS

Wattage	<b>1.5</b>
Volt Amps	<b>2.5</b>
Beam Spread	<b>30°</b>
Color	<b>Amber</b>
Operating Range	<b>8-25 VAC/DC</b>
CRI	<b>85</b>
IP	<b>61</b>
Lamp Life (hours)	<b>50,000</b>
Warranty (years)	<b>5</b>



Part Number: **MR8-XXXX-XXX**

Kelvin | Beam spread



## WILDLIFE LIGHTING CERTIFICATION PROGRAM

Certification Number: 2018-036

Certification Requirements: Must be installed in a low mounted, downward directed and shielded fixture



# MR11 AMBER

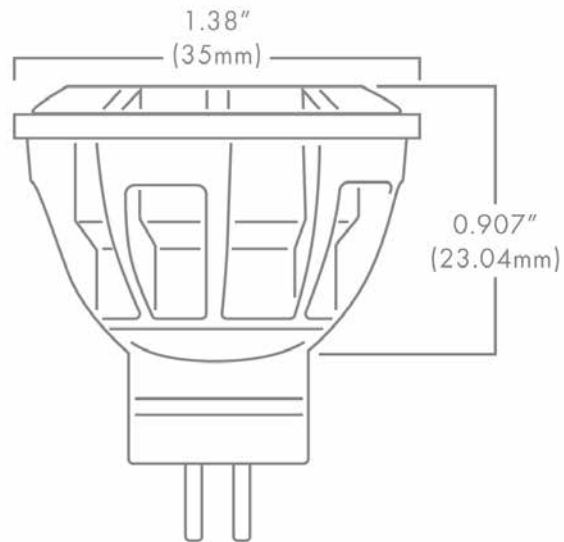


## DESCRIPTION

The Brilliance MR11 Bi-Pin is designed to fit into standard low voltage MR11 fixtures and offers a long lamp life. These LEDs are thermally engineered to operate in enclosed fixtures and provide added security by automatically cooling down and reducing lumen output when exposed to extreme heat, such as air temperatures above 125 °F. There is no color shift when lumen output is reduced. Dimmable with Brilliance Dimmer and most magnetic transformers. Suitable for damp locations and for use in totally enclosed luminaires. Not for underwater use.

## FEATURES

- Earth tone colored housing
- Enhanced ESD (Electro-Static Discharge) protection (IEC-61000-4-2)
- Heat overload protection technology
- Fully potted PC board
- UL Certified E360351



Part Number: **MR11-2-XXXX-XXX**

Kelvin | Beam spread

## MR11 SPECS

Wattage	<b>2</b>
Volt Amps	<b>3.33</b>
Beam Spread	<b>30°</b>
Color	<b>Amber</b>
Operating Range	<b>8-25 VAC/DC</b>
CRI	<b>85</b>
IP	<b>61</b>
Lamp Life (hours)	<b>50,000</b>
Warranty (years)	<b>5</b>



## WILDLIFE LIGHTING CERTIFICATION PROGRAM

Certification Number: 2018-036

Certification Requirements: Must be installed in a low mounted, downward directed and shielded fixture





# AR11 AMBER

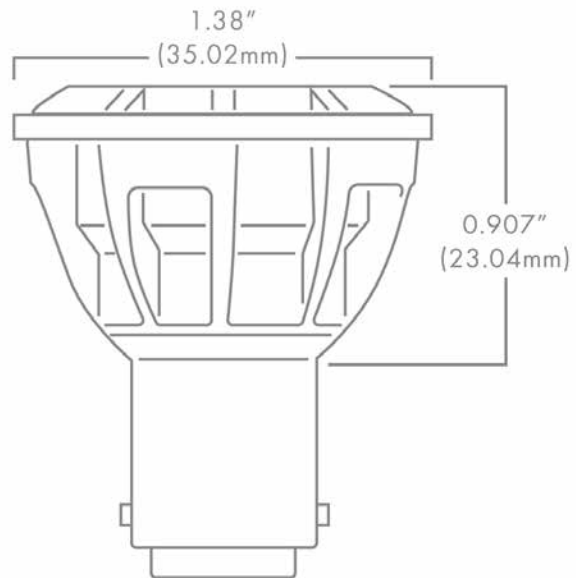


## DESCRIPTION

The Brilliance AR11 Double Contact Bayonet (DCB) is designed to fit into standard low voltage AR11 fixtures and offers a long lamp life. These LEDs are thermally engineered to operate in enclosed fixtures and provide added security by automatically cooling down and reducing lumen output when exposed to extreme heat, such as air temperatures above 125°F. There is no color shift when lumen output is reduced. Dimmable with Brilliance Dimmer and most magnetic transformers. Suitable for damp locations and for use in totally enclosed luminaires. Not for underwater use.

## FEATURES

- Earth tone colored housing
- Enhanced ESD (Electro-Static Discharge) protection (IEC-61000-4-2)
- Heat overload protection technology
- Fully potted PC board
- UL Certified E360351



Part Number: **AR11-2-XXXX-XX**

Kelvin | Beam spread

## AR11 SPECS

Wattage	<b>2</b>
Volt Amps	<b>3.33</b>
Beam Spread	<b>30°</b>
Color	<b>Amber</b>
Operating Range	<b>8-25 VAC/DC</b>
CRI	<b>85</b>
IP	<b>61</b>
Lamp Life (hours)	<b>50,000</b>
Warranty (years)	<b>5</b>



## WILDLIFE LIGHTING CERTIFICATION PROGRAM

Certification Number: 2018-036

Certification Requirements: Must be installed in a low mounted, downward directed and shielded fixture



# MR16 AMBER



## DESCRIPTION

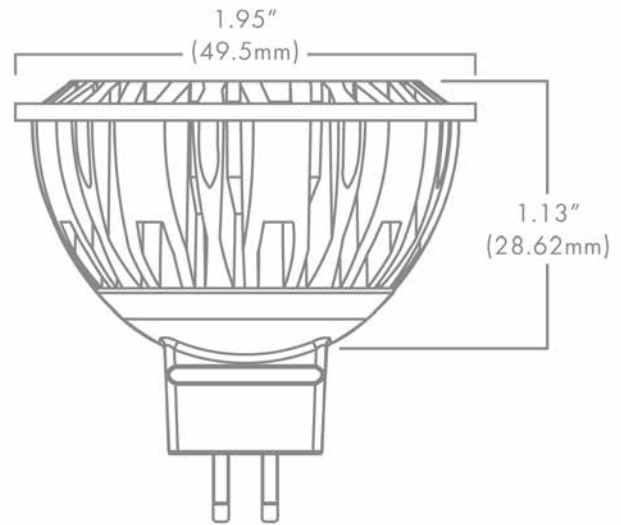
The Brilliance MR16 Bi-Pin is designed to fit in standard low voltage MR16 fixtures and offers a long lamp life. These LEDs are thermally engineered to operate in enclosed fixtures and provide added security by automatically cooling down and reducing lumen output when exposed to extreme heat, such as air temperatures above 125 °F. There is no color shift when lumen output is reduced. Dimmable with Brilliance Dimmer and most magnetic transformers. Suitable for damp locations and for use in totally enclosed luminaires. Not for underwater use.

## FEATURES

- Earth tone colored housing
- Enhanced ESD (Electro-Static Discharge) protection (IEC-61000-4-2)
- Heat overload protection technology
- Fully potted PC board
- UL Certified E360351

## MR16 SPECS

Wattage	<b>4W</b>	<b>5W</b>
Volt Amps	<b>6.35</b>	<b>8.33</b>
Beam Spread†	<b>30°</b>	
Operating Range	<b>8-25 VAC/DC</b>	
CRI	<b>85</b>	
IP	<b>61</b>	
Lamp Life (hours)	<b>50,000</b>	
Warranty (years)	<b>5</b>	



Part Number: **MR16-X-XXXX-XXX**



## WILDLIFE LIGHTING CERTIFICATION PROGRAM

Certification Number: 2018-036

Certification Requirements: Must be installed in a low mounted, downward directed and shielded fixture



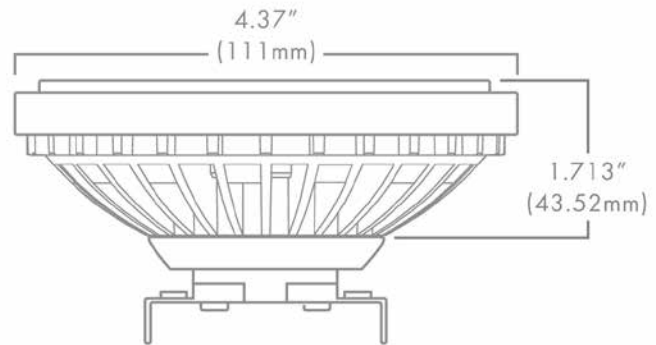


# PAR36 AMBER



## DESCRIPTION

The Brilliance PAR36 lamp is designed to fit in standard low voltage PAR36 fixtures and offers a long lamp life. These LEDs are thermally engineered to operate in enclosed fixtures and provide added security by automatically cooling down and reducing lumen output when exposed to extreme heat, such as air temperatures above 125°F. There is no color shift when lumen output is reduced. Dimmable with Brilliance Dimmer and most magnetic transformers. Suitable for wet locations and for use in totally enclosed luminaires. Not for underwater use.



## FEATURES

- Earth tone colored housing
- Enhanced ESD (Electro-Static Discharge) protection (IEC-61000-4-2)
- Heat overload protection technology
- Fully potted PC board
- UL Certified E360351

Part Number: **PAR36-X-XXXX-XXX**



## PAR36 SPECS

Wattage	<b>7W</b>	<b>11W</b>
Volt Amps	<b>10.77</b>	<b>15.94</b>
Beam Spread	<b>30°</b>	
Color	<b>Amber</b>	
Operating Range	<b>8-25 VAC/DC</b>	
CRI	<b>85</b>	
IP	<b>68</b>	
Lamp Life (hours)	<b>50,000</b>	
Warranty (years)	<b>5</b>	



## WILDLIFE LIGHTING CERTIFICATION PROGRAM

Certification Number: 2018-036

Certification Requirements: Must be installed in a low mounted, downward directed and shielded fixture



# AMBER STRIP LIGHT



## DESCRIPTION

The Brilliance AC flexible Strip Light is rated for outdoor use. The LEDs on this Strip Light are encased in non-yellowing material. Brilliance Strip Light provides great accent lighting for stairs, railings, and overhangs, plus it installs easily. Incorporate it to a new project or connect it directly to an existing 8 to 16 VAC landscape lighting system. Dimmable with Brilliance Dimmer and most magnetic transformers.



Part Number: **BRI-SL3-AMBER-82**

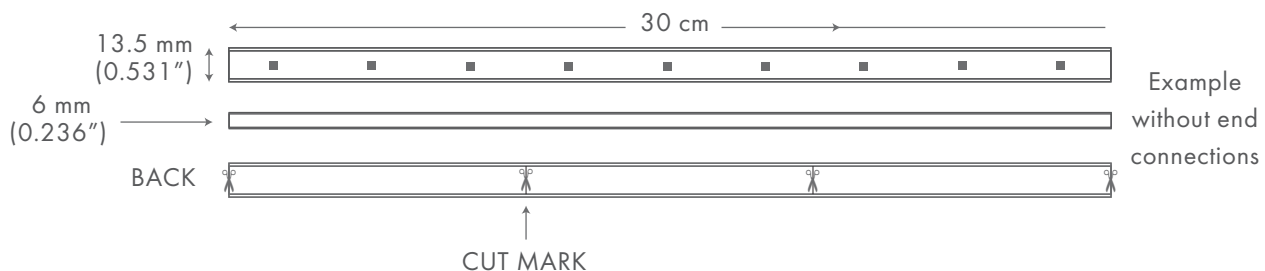
## STRIP LIGHT FEATURES

- Dimmable with most magnetic transformers
- Recommended max. length per power feed is 40 feet
- Available in 82.25 ft reels
- Enhanced ESD (Electro-Static Discharge) protection (IEC-61000-4-2)
- UL Certified E487030

NEC® Article 411.5 (B): Lighting systems shall be installed not less than 3m (10ft) horizontally from the nearest edge of the water, unless permitted by Article 680.

## STRIP LIGHT SPECS

Wattage	<b>1.8 per meter</b>
Color	<b>Amber</b>
Operating Range	<b>8-16 VAC/DC</b>
CRI	<b>80</b>
IP	<b>65</b>
Lamp Life (hours)	<b>35,000</b>
Warranty (years)	<b>3</b>



## WILDLIFE LIGHTING CERTIFICATION PROGRAM

Certification Number: 2018-036

Certification Requirements: Must be installed in a low mounted, downward directed and shielded fixture





# AMBER LIGHT BAR



## DESCRIPTION

The Light Bar is easy to install and its rugged construction and Cerakote® aluminum rail makes it a great fit for high-traffic areas. Light Bars are dimmable with most magnetic transformers and the frosted design offers continuous light. Enhanced ESD (Electro-Static Discharge) protection (IEC-61000-4-2). UL Certified E511083.

Optional light bar shields in Copper or Stainless Steel are available in Small and Medium only.



## LIGHT BAR

Use	<b>Areas with Elevation Changes or Dark Sky Requirements Deck, Step, &amp; Hardscape Applications</b>
Includes	<b>Integrated Light Bar, LightingShrink Professional Crimp, and Heat Shrink Cable Connector</b>

NEC® Article 411.5 (B): Lighting systems shall be installed not less than 3m (10ft) horizontally from the nearest edge of the water, unless permitted by Article 680.

Part Number: **BRI-LB-LED-AMBER-S**  
**BRI-LB-LED-AMBER-M**

## LIGHT BAR

Size	<b>Small</b>	<b>Medium</b>
Wattage	<b>1.5</b>	<b>2.5</b>
Length (inches)	<b>5.125"</b>	<b>9.0"</b>
Color	<b>Amber</b>	<b>Amber</b>
Operating Range	<b>8-15 VAC</b>	<b>8-15 VAC</b>
CRI	<b>85</b>	<b>85</b>
IP	<b>65</b>	<b>65</b>
Warranty (years)	<b>5</b>	<b>5</b>

Optional Light Bar Shield

Part Number: **LBS-S-C**  
**LBS-S-SS**  
**LBS-M-C**  
**LBS-M-SS**

Optional Mounting Bracket Bar

Part Number: **BRI-MB-LED-S**  
**BRI-MB-LED-M**

## WILDLIFE LIGHTING CERTIFICATION PROGRAM

Certification Number: 2019-270

Certification Requirements: Must be installed with the approved integrated Amber LED; Must be installed in a low, shielded location and directing the light downward and away from the beach; If used in a fixture, the fixture must meet the FWC Lighting Guidelines for the appropriate fixture type



# BRYCE Hanging Down Light for AR11 or MR16



## DESCRIPTION

The Bryce Hanging Down Light works with AR11 or MR16 lamps.

### BRYCE HANGING DOWN LIGHT

Use	<b>Downlighting Techniques in Trees or Architecture by Hanging on a Chain or Cable</b>	
Finish	<b>Brass, Copper, or Brass w/ Black Cerakote®</b>	
Includes	<b>LightingShrink Professional Crimp and Heat Shrink Cable Connector</b>	
Order Without Lamp	<b>Fits AR11</b>	BRYCE-HDL-AR11-CU-NL BRYCE-HDL-AR11-BR-NL BRYCE-HDL-AR11-BR-BLK-NL
	<b>Fits MR16</b>	BRYCE-HDL-MR16-CU-NL BRYCE-HDL-MR16-BR-NL BRYCE-HDL-MR16-BR-BLK-NL



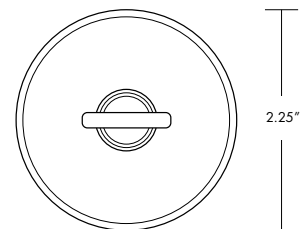
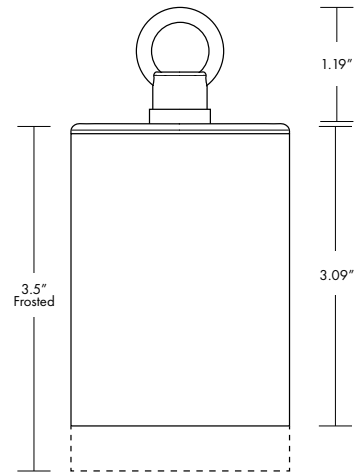
Brass (BR)



Copper (CU)



Brass + Black Cerakote®  
(BR-BLK)



## WILDLIFE LIGHTING CERTIFICATION PROGRAM

Certification Number: 2019-269

Certification Requirements: Amber LED; Must be installed below structures; Allowed on the ground floor only, unless on the landward side of the structure; Additional shielding may be necessary if visible from the beach







Application picture shown as **BRYCE-HDL-AR11-CU** (not in Amber)

### **INSTALLING THE LAMP**

1. Unscrew the fixture body from the base.
2. Install the lamp in the socket.
3. Reinstall the fixture body.

### **HANGING THE FIXTURE**

**IMPORTANT: DO NOT INSTALL ON OR NEAR ANY HIGH VOLTAGE POWER LINES**

1. Hang the fixture from a secure stainless steel eye bolt, with or without a chain.
2. Create a drip loop with the wire by bending the wire to a slope one inch below the fixture cap.

### **WILDLIFE LIGHTING CERTIFICATION PROGRAM**

Certification Number: 2019-269

Certification Requirements: Amber LED; Must be installed below structures;  
Allowed on the ground floor only, unless on the landward side of the structure;  
Additional shielding may be necessary if visible from the beach



# SEQUOIA G4 Bi-Pin 7" Path Light

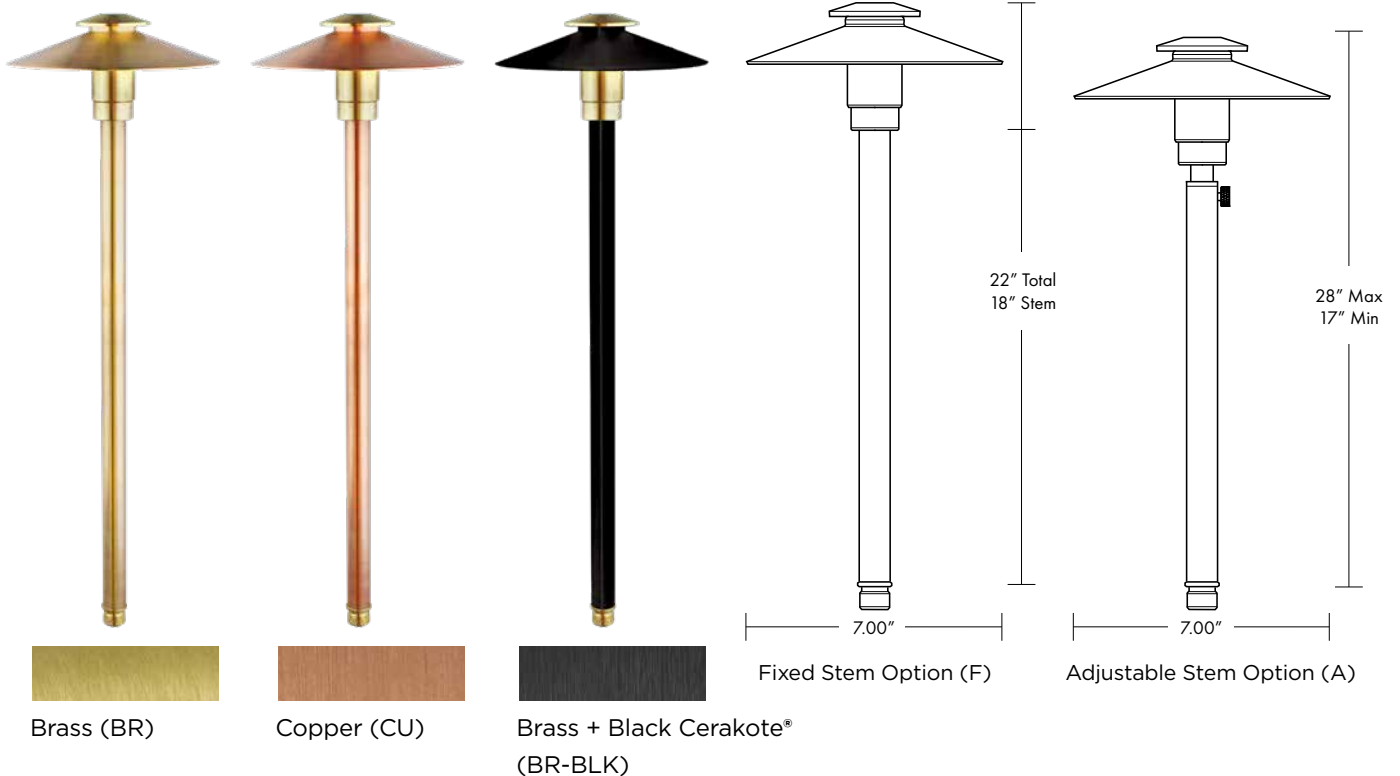


## DESCRIPTION

The Sequoia 7" Path Light comes complete with a fully adjustable reflector top. It is available in a standard 18" fixed stem or a 17" to 28" adjustable stem.

## SEQUOIA PATH LIGHT

Use	<b>Path, Area, and Garden Accent Lighting</b>		
Finish	<b>Brass, Copper, or Brass w/ Black Cerakote®</b>		
Includes	<b>ABS Mounting Stake, LightingShrink Professional Crimp, and Heat Shrink Cable Connector</b>		
Order Without Lamp	<b>Fits G4 Bi-Pin</b>	<b>FIXED</b>	<b>ADJUSTABLE</b>
		SEQUOIA-PL-7-G4-CU-F-NL	SEQUOIA-PL-7-G4-CU-A-NL
		SEQUOIA-PL-7-G4-BR-F-NL	SEQUOIA-PL-7-G4-BR-A-NL
		SEQUOIA-PL-7-G4-BR-BLK-F-NL	SEQUOIA-PL-7-G4-BR-BLK-A-NL



Brass (BR)



Copper (CU)



Brass + Black Cerakote®  
(BR-BLK)

## WILDLIFE LIGHTING CERTIFICATION PROGRAM

Certification Number: 2019-268

Certification Requirements: Amber LED; Must be downward directed; Maximum mounting height of 24" from the ground; Additional shielding may be necessary if visible from the beach





Application picture shown as **SEQUOIA-PL-7-G4-CU-F** (not in Amber).

#### **SOFT SOIL APPLICATIONS: INSTALLING THE GROUND STAKE & FIXTURE**

1. Connect the power cable from the fixture body to the landscape cable.
2. Lay the power cable into the slotted relief on the stake.
3. Press the fixture and stake into the ground.
4. Use a level to ensure the top of the stake is level with the ground.

#### **HARD SOIL APPLICATIONS: INSTALLING THE GROUND STAKE & FIXTURE**

1. Unscrew the fixture body from the stake.
2. Dig a hole approximately 4" wide by 10" deep and gently tap the stake into the ground with a rubber mallet.
3. Use a level to ensure the top of the stake is level with the ground.
4. Reinstall the fixture body onto the stake and lay the power cable into the slotted relief on the stake.
5. Connect the power cable from the fixture body to the landscape cable.

#### **ADJUSTING THE FIXTURE**

1. Turn the threaded ring counter clockwise to loosen the lid.
2. Find the right light pattern by moving the lid up and down on the stem.
3. Turn the threaded ring clockwise to lock the lid into the preferred position.
4. For adjustable stem models, adjust the stem length by loosening the set screw, adjusting the stem height, and tightening the set screw to hold it in place.

#### **INSTALLING THE LAMP**

1. Loosen the threaded jam nut toward the stem.
2. Unscrew the lid from the stem.
3. Install the Beacon G4 Bi-Pin into the socket.
4. Screw the lid onto the stem.
5. Adjust the threaded ring until you achieve the light pattern you want.

#### **WILDLIFE LIGHTING CERTIFICATION PROGRAM**

Certification Number: 2019-268

Certification Requirements: Amber LED; Must be downward directed; Maximum mounting height of 24" from the ground; Additional shielding may be necessary if visible from the beach



# ZION G4 Bi-Pin 4" Path Light

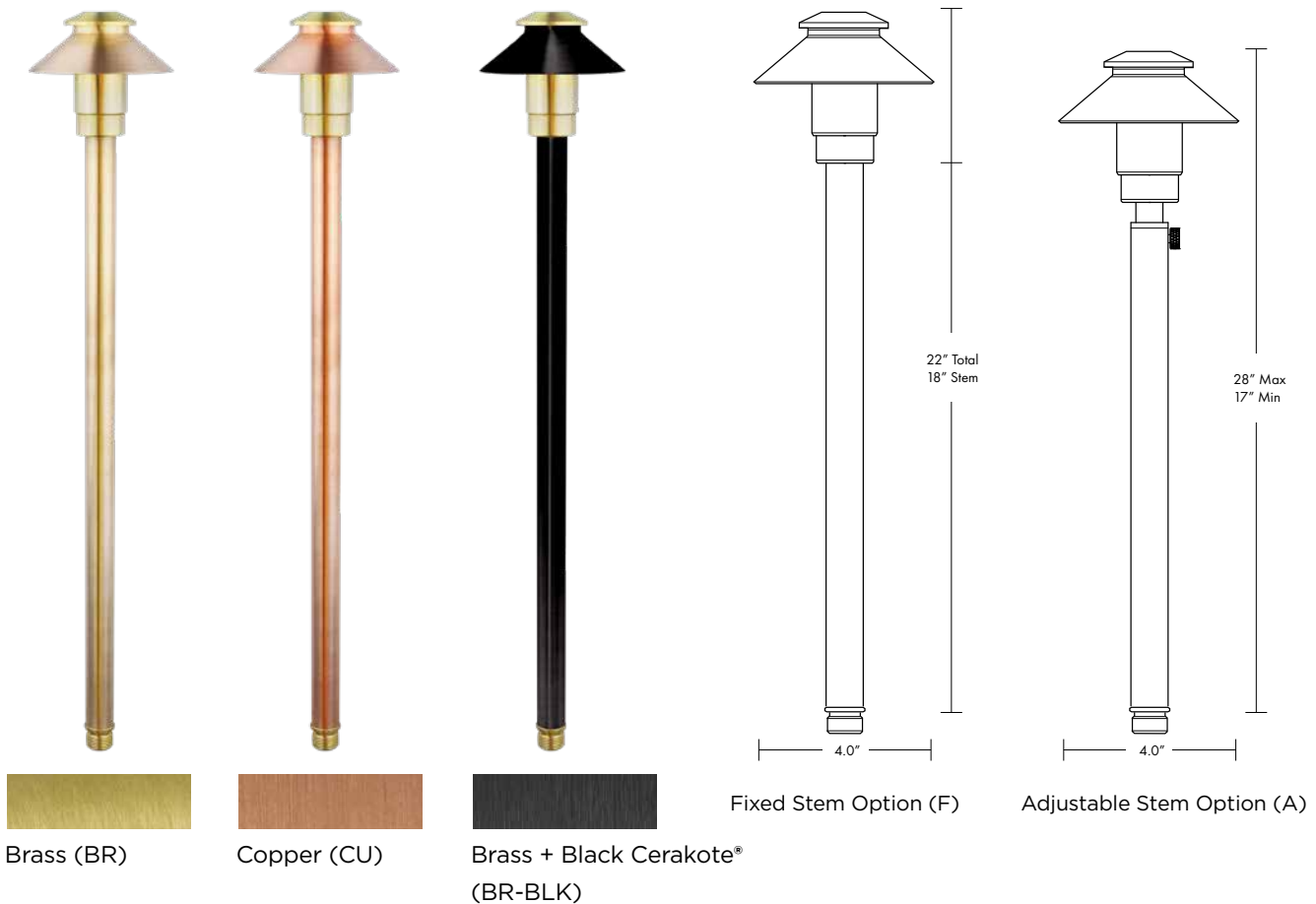


## DESCRIPTION

The Zion 4" Path Light comes complete with a fully adjustable reflector top. It is available in a standard 22" fixed stem or a 17" to 28" adjustable stem.

## ZION PATH LIGHT

Use	<b>Path, Area, and Garden Accent Lighting</b>		
Finish	<b>Brass, Copper, or Brass w/ Black Cerakote®</b>		
Includes	<b>ABS Mounting Stake, LightingShrink Professional Crimp, and Heat Shrink Cable Connector</b>		
Order Without Lamp	<b>Fits G4 Bi-Pin</b>	<b>FIXED</b> ZION-PL-4-G4-CU-F-NL ZION-PL-4-G4-BR-F-NL ZION-PL-4-G4-BR-BLK-F-NL	<b>ADJUSTABLE</b> ZION-PL-4-G4-CU-A-NL ZION-PL-4-G4-BR-A-NL ZION-PL-4-G4-BR-BLK-A-NL



## WILDLIFE LIGHTING CERTIFICATION PROGRAM

Certification Number: 2019-267

Certification Requirements: Amber LED; Must be downward directed; Maximum mounting height of 24" from the ground; Additional shielding may be necessary if visible from the beach







Application picture shown as **ZION-PL-4-G4-CU-F** (not in Amber).

#### **SOFT SOIL APPLICATIONS: INSTALLING THE GROUND STAKE & FIXTURE**

1. Connect the power cable from the fixture body to the landscape cable.
2. Lay the power cable into the slotted relief on the stake.
3. Press the fixture and stake into the ground.
4. Use a level to ensure the top of the stake is level with the ground.

#### **HARD SOIL APPLICATIONS: INSTALLING THE GROUND STAKE & FIXTURE**

1. Unscrew the fixture body from the stake.
2. Dig a hole approximately 4" wide by 10" deep and gently tap the stake into the ground with a rubber mallet.
3. Use a level to ensure the top of the stake is level with the ground.
4. Reinstall the fixture body onto the stake and lay the power cable into the slotted relief on the stake.
5. Connect the power cable from the fixture body to the landscape cable.

#### **ADJUSTING THE FIXTURE**

1. Turn the threaded ring counter clockwise to loosen the lid.
2. Find the right light pattern by moving the lid up and down on the stem.
3. Turn the threaded ring clockwise to lock the lid into the desired position.
4. For adjustable stem models, adjust the stem length by loosening the set screw, adjusting the stem height, and tightening the set screw to hold it in place.

#### **INSTALLING THE LAMP**

1. Unscrew the threaded ring toward the stem.
2. Unscrew the lid from the stem.
3. Install the Beacon G4 Bi-Pin into the socket.
4. Screw the lid onto the stem.
5. Adjust the threaded ring until you achieve the light pattern you want.

#### **WILDLIFE LIGHTING CERTIFICATION PROGRAM**

Certification Number: 2019-267

Certification Requirements: Amber LED; Must be downward directed; Maximum mounting height of 24" from the ground; Additional shielding may be necessary if visible from the beach



# REDWOOD G4 Path Light

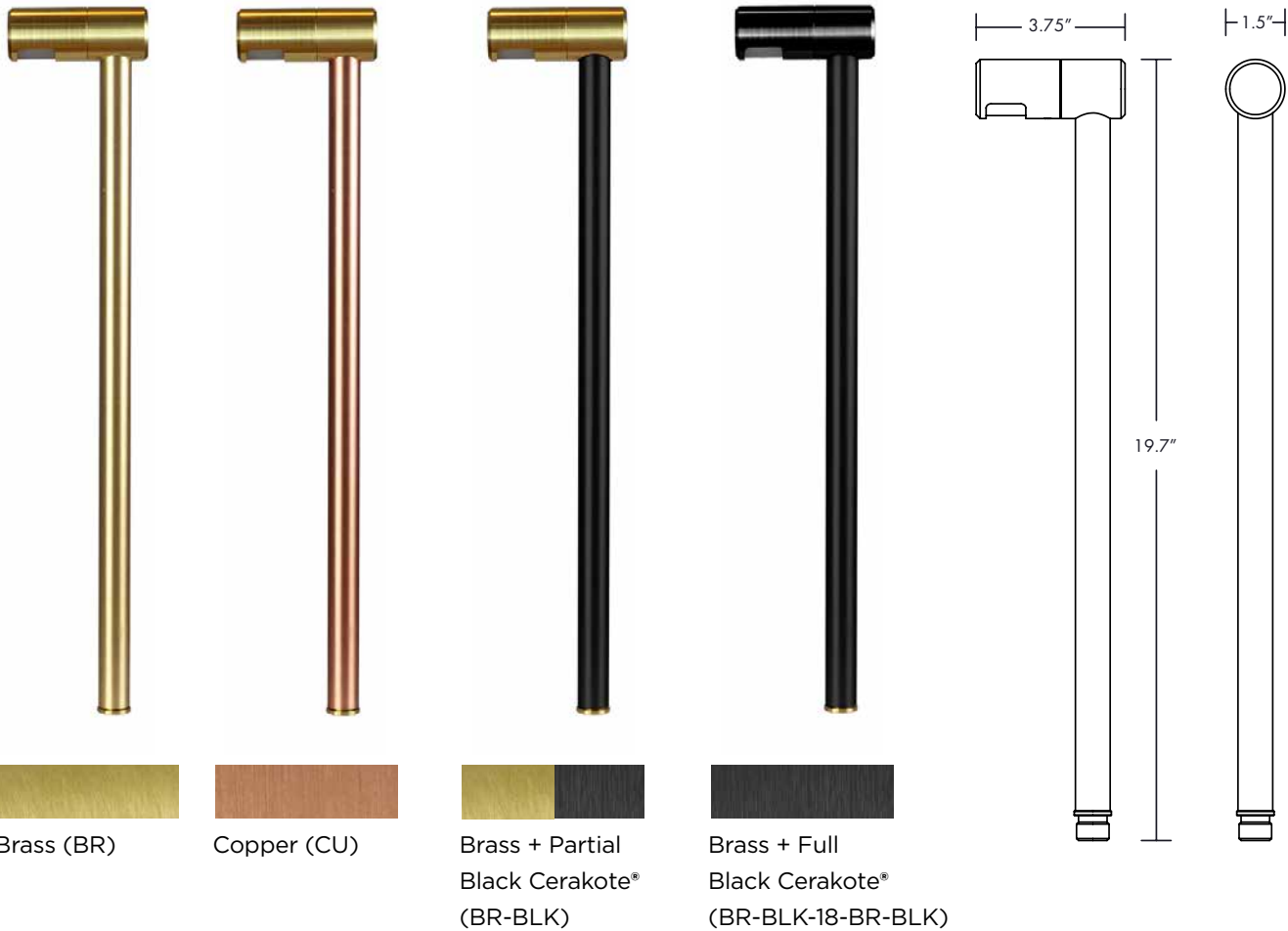


## DESCRIPTION

The Redwood Path Light comes complete with a frosted glass window that can rotate 360° and locks in with a set screw.

### REDWOOD PATH LIGHT

Use	<b>Path, Area, and Garden Accent Lighting</b>	
Finish	<b>Brass, Copper, or Brass w/ Black Cerakote®</b>	
Includes	<b>ABS Mounting Stake, LightingShrink Professional Crimp, and Heat Shrink Cable Connector</b>	
Order Without Lamp	<b>Fits G4 Bi-Pin</b>	REDWOOD-PL-G4-BR-18-CU-STEM-NL REDWOOD-PL-G4-BR-18-BR-STEM-NL REDWOOD-PL-G4-BR-18-BR-BLK-STEM-NL REDWOOD-PL-G4-BR-BLK-18-BR-BLK-STEM-NL



### UNDER REVIEW FOR WILDLIFE LIGHTING CERTIFICATION PROGRAM

Light Source (Micro G4 Amber) approved under Certification Number 2018-036

The Wildlife Lighting Certification Program has been suspended since 2020 due to COVID-19 and remains closed at the time of this publication. This item has been submitted to be reviewed when the program resumes.





Application picture shown as **REDWOOD-PL-G4-BR-BLK-18-BR-BLK-STEM-NL** (not in Amber).

**SOFT SOIL APPLICATIONS: INSTALLING THE GROUND STAKE & FIXTURE**

1. Connect the power cable from the fixture body to the landscape cable.
2. Lay the power cable into the slotted relief on the stake.
3. Press the fixture and stake into the ground.
4. Use a level to ensure the top of the stake is level with the ground.

**HARD SOIL APPLICATIONS: INSTALLING THE GROUND STAKE & FIXTURE**

1. Unscrew the fixture body from the stake.
2. Dig a hole approximately 4" wide by 10" deep and gently tap the stake into the ground with a rubber mallet.
3. Use a level to ensure the top of the stake is level with the ground.
4. Reinstall the fixture body onto the stake and lay the power cable into the slotted relief on the stake.
5. Connect the power cable from the fixture body to the landscape cable.

**INSTALLING THE LAMP**

1. Loosen the set screw for the lens cover.
2. Remove the brass lens cover.
3. Install the G4 Wafer into the socket.
4. Place the lens cover back on the fixture body.
5. When using a Micro G4 or Beacon G4, you can adjust the window to direct light where you want it.

**UNDER REVIEW FOR WILDLIFE LIGHTING CERTIFICATION PROGRAM**

Light Source (Micro G4 Amber) approved under Certification Number 2018-036

The Wildlife Lighting Certification Program has been suspended since 2020 due to COVID-19 and remains closed at the time of this publication. This item has been submitted to be reviewed when the program resumes.



# TEE WALL WASHER

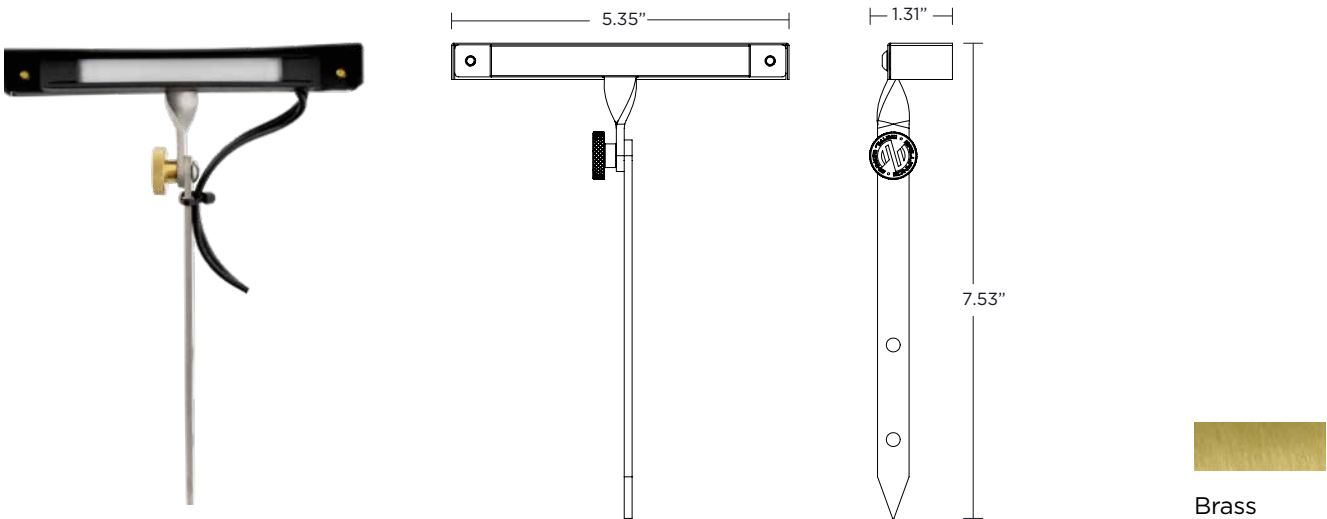


## DESCRIPTION

The Tee Wall Washer Light features the Brilliance Metal Works adjustment system which allows articulation of the knuckle. For ease of installation, the power cable comes zip tied to the ground stake. Dimmable with Brilliance Dimmer and most magnetic transformers. Light source UL Certified E511083.

## TEE WALL WASHER

Use	<b>Up Lighting/Back Lighting &amp; Grazing Low Profile Pathway Lighting</b>
Finish	<b>Brass, Copper, or Brass w/ Black Cerakote®</b>
Includes	<b>LightingShrink Professional Crimp and Heat Shrink Cable Connector</b>
Integrated Lamp	<b>Small Light Bar - 1.5W, Amber, CRI 85, IP65, 8-15VAC, 1.67VA, 5 year warranty</b>  TEE-WALL-WASHER-AMBER-BRASS TEE-WALL-WASHER-AMBER-COPPER TEE-WALL-WASHER-AMBER-BRASS-BLK



## INSTALLING THE FIXTURE

1. Dig a hole in the ground approximately 1" wide by 4" deep.
2. Insert the built-in stake into the hole and aim the fixture in the preferred direction and angle.
3. For soft soil, gently push the stake into the ground.
4. Lay the power cable from the fixture into the existing cable trench and use the LightingShrink cable connector to join the fixture cable to the main cable.

## UNDER REVIEW FOR WILDLIFE LIGHTING CERTIFICATION PROGRAM

Light Source (Amber Light Bar) approved under Certification Number 2019-270

The Wildlife Lighting Certification Program has been suspended since 2020 due to COVID-19 and remains closed at the time of this publication. This item has been submitted to be reviewed when the program resumes.





# SURFACE MOUNT WALL WASH

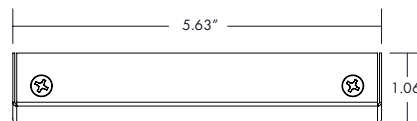
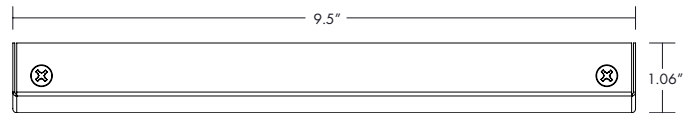


## DESCRIPTION

The Surface Mount Wall Wash gently spreads light through its integrated LED light bar. It comes in 2 sizes (Small and Medium) to meet any wall or hardscape lighting requirement. Dimmable with Brilliance Dimmer and most magnetic transformers. Light source UL Certified E511083.

## SURFACE MOUNT WALL WASH

Use	<b>Areas with Elevation Changes or Dark Sky Requirements Deck, Step, &amp; Hardscape Applications</b>
Finish	<b>Brass, Copper, or Brass w/ Black Cerakote®</b>
Includes	<b>Integrated Light Bar, LightingShrink Professional Crimp, and Heat Shrink Cable Connector</b>
Integrated Lamp	<p><b>Small Light Bar - 1.5W, Amber, CRI 85, IP65, 8-15VAC, 1.67VA, 5 year warranty</b></p> <p>SURFACE-MOUNT-WALL-WASH-SMALL-AMBER-COPPER SURFACE-MOUNT-WALL-WASH-SMALL-AMBER-BRASS SURFACE-MOUNT-WALL-WASH-SMALL-AMBER-BRASS-BLK</p> <p><b>Medium Light Bar - 2.5W, Amber, CRI 85, IP65, 8-15VAC, 1.67VA, 5 year warranty</b></p> <p>SURFACE-MOUNT-WALL-WASH-MEDIUM-AMBER-COPPER SURFACE-MOUNT-WALL-WASH-MEDIUM-AMBER-BRASS SURFACE-MOUNT-WALL-WASH-MEDIUM-AMBER-BRASS-BLK</p>



Brass



Copper



Brass + Black Cerakote®

## INSTALLING THE FIXTURE

1. Separate the two-piece fixture by removing the two machine screws from the top of the body.
2. Install the wall anchors, if mounting in masonry, concrete, or sheetrock.
3. Use the provided cable connectors to connect the lead wires to the transformer main line.
4. Slide the cables into the conduit and mount the back plate onto the wall with the screws.
5. Screw the glare hood onto the fixture.

## UNDER REVIEW FOR WILDLIFE LIGHTING CERTIFICATION PROGRAM

Light Source (Amber Light Bar) approved under Certification Number 2019-270

The Wildlife Lighting Certification Program has been suspended since 2020 due to COVID-19 and remains closed at the time of this publication. This item has been submitted to be reviewed when the program resumes.



# EVERGLADES G4 BI-PIN AREA LIGHT

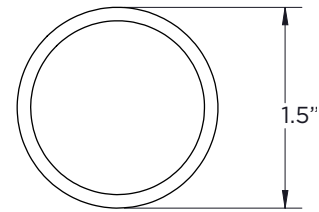


## DESCRIPTION

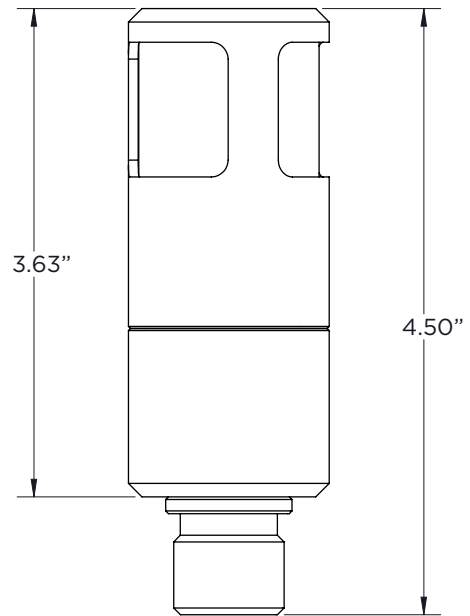
The Everglades is an area light that serves as a low-profile indicator. Pair with the optional Deck Mount accessory as a base for flat surfaces like boating docks and deck applications.

## EVERGLADES AREA LIGHT

Use	<b>Pathways &amp; Walkways Dock &amp; Deck Applications</b>	
Finish	<b>Brass or Brass w/ Black Cerakote®</b>	
Includes	<b>ABS Mounting Stake, LightingShrink Professional Crimp, and Heat Shrink Cable Connector</b>	
Order With Lamp	<b>Micro G4 Bi-Pin in Amber</b>	EVERGLADES-AL-G4-BR EVERGLADES-AL-G4-BR-BLK
Order Without Lamp	<b>Fits G4 Bi-Pin</b>	EVERGLADES-AL-G4-BR-NL EVERGLADES-AL-G4-BR-BLK-NL



Everglades shown with Deck Mount accessory



Brass (BR)



Brass + Black Cerakote® (BR-BLK)

## UNDER REVIEW FOR WILDLIFE LIGHTING CERTIFICATION PROGRAM

Light Source (Micro G4 Amber) approved under Certification Number 2018-036

The Wildlife Lighting Certification Program has been suspended since 2020 due to COVID-19 and remains closed at the time of this publication. This item has been submitted to be reviewed when the program resumes.





Application picture shown as **EVERGLADES AL-G4-BR** (includes lamp in Amber).

#### **SOFT SOIL APPLICATIONS: INSTALLING THE GROUND STAKE & FIXTURE**

1. Connect the power cable from the fixture body to the landscape cable.
2. Lay the power cable into the slotted relief on the stake.
3. Press the fixture and stake into the ground.
4. Use a level to ensure the top of the stake is level with the ground.

#### **HARD SOIL APPLICATIONS: INSTALLING THE GROUND STAKE & FIXTURE**

1. Unscrew the fixture body from the stake.
2. Dig a hole approximately 4" wide by 10" deep and gently tap the stake into the ground with a rubber mallet.
3. Use a level to ensure the top of the stake is level with the ground.
4. Reinstall the fixture body onto the stake and lay the power cable into the slotted relief on the stake.
5. Connect the power cable from the fixture body to the landscape cable.

#### **ADJUSTING THE FIXTURE**

1. Turn the thumbnut counter-clockwise to loosen the knuckle.
2. Rotate the fixture vertically to the preferred position.
3. Turn the thumbnut clockwise to hold it in the preferred position.

#### **INSTALLING THE LAMP**

1. Pull the assembly top off of the fixture base.
2. Install the lamp into the socket.
3. Press the assembly top into fixture.

#### **DECK APPLICATIONS: INSTALLING WITH THE BRILLIANCE DECK MOUNT**

1. Use three #10 x 3" round head stainless steel deck screws to mount the Deck Mount to wood or composite deck material.

#### **UNDER REVIEW FOR WILDLIFE LIGHTING CERTIFICATION PROGRAM**

Light Source (Micro G4 Amber) approved under Certification Number 2018-036

The Wildlife Lighting Certification Program has been suspended since 2020 due to COVID-19 and remains closed at the time of this publication. This item has been submitted to be reviewed when the program resumes.



# ADJUSTABLE AQUABEAM



## DESCRIPTION

The Adjustable AquaBeam has been redesigned to use drop-in MR16 lamps in extremely wet or underwater applications. This new construction allows you to specify the wattage, beam spread, and color for your lighting design and is field serviceable. The Adjustable AquaBeam is precision machined from C464 Naval Brass and offers vertical and horizontal adjustment. It works best with premium Brilliance MR16 4W or 5W lamps. Dimmable with Brilliance Dimmer and most magnetic transformers.

## ADJUSTABLE AQUABEAM

Use	<b>Fully Submersible, Ideal for Salt Water Applications</b>
Finish	<b>C464 Naval Brass</b>
Includes	<b>25 ft Lead, Stainless Steel Bracket (marine grade)</b>
IP	<b>68</b>

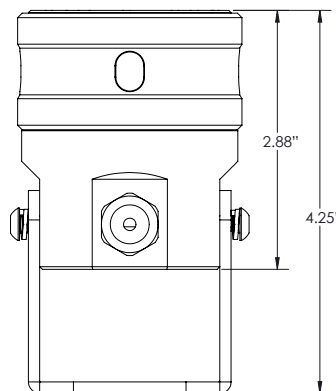
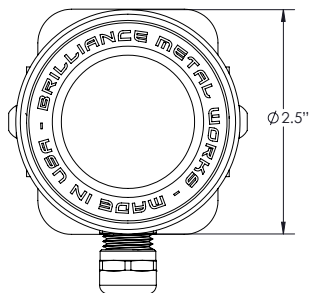
Order With Lamp

### MR16 4W

**Amber, 30°** ADJ-AQUABEAM-4-AMBER-30

### MR16 5W

**Amber, 30°** ADJ-AQUABEAM-5-AMBER-30



**\*Note:** Corrosive chemicals in the water of ponds and fountains as well as natural hard water and salt water could affect the appearance of the coating, but will not impact functionality of the product. For this reason, Brilliance LED makes no warranty or guarantee for change in appearance when this product is used in water, as it is designed to be used. (NOT for use in swimming pools, spas, or any contained water basin in contact with people per NEC Article 682.)

## UNDER REVIEW FOR WILDLIFE LIGHTING CERTIFICATION PROGRAM

The Wildlife Lighting Certification Program has been suspended since 2020 due to COVID-19 and remains closed at the time of this publication. This item has been submitted to be reviewed when the program resumes.





# MINI BEAM STAKE & SHIELD

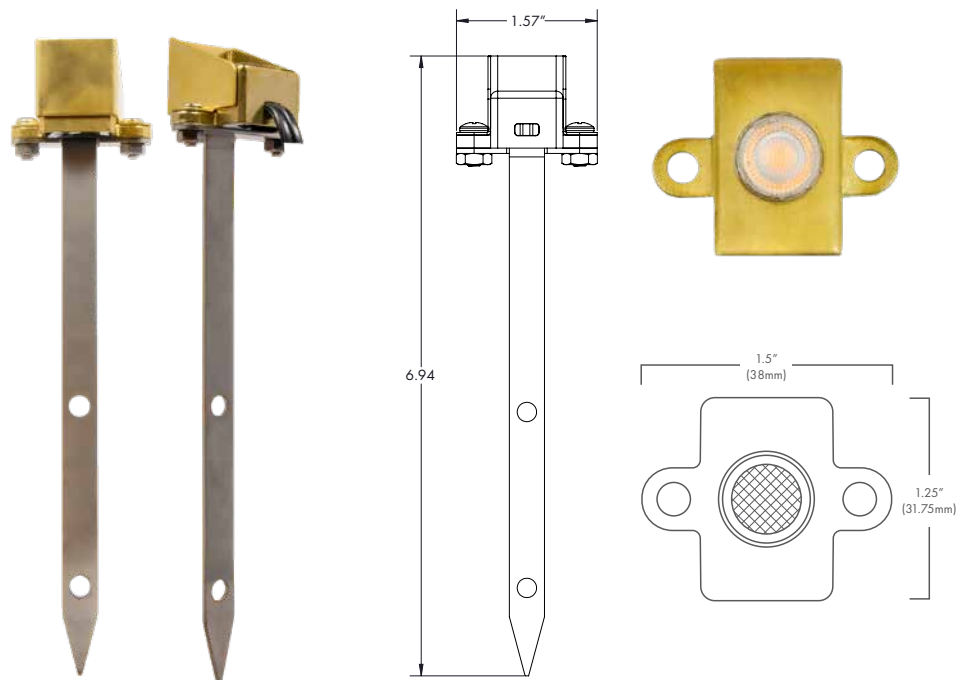


## DESCRIPTION

The Mini Beam is the perfect lamp to bring light to hard-to-reach places, whether under water, in a water feature, under stairs, stone walls, stone lanterns, or any small space. This directional product solves the issue of fitting a fixture and a lamp into a small area. Enhanced ESD (Electro-Static Discharge) protection (IEC-61000-4-2). We recommend using LightingShrink connections for Mini Beams. Dimmable with Brilliance Dimmer and most magnetic transformers. Now packaged and pre-assembled with the Stake & Shield accessory. If your application calls for it, shape or bend the stake to optimize the light's aim.

## MINI BEAM

Use	<b>Fully Submersible in Water Features or Heavy Irrigation Areas Small Spaces that Need Directional Light</b>
Finish	<b>Brass</b>
Includes	<b>12 ft Lead</b>
Integrated Lamp	<b>Mini Beam - 1.5W, 36°, CRI 80, IP68, 8-15VAC, 2.50VA, 3 year warranty, 30,000 hours</b> <b>Amber    MINI-BEAM-AMBER-90</b>



\*Note: Corrosive chemicals in the water of ponds and fountains as well as natural hard water and salt water could affect the appearance of the coating, but will not impact functionality of the product. For this reason, Brilliance LED makes no warranty or guarantee for change in appearance when this product is used in water, as it is designed to be used. (NOT for use in swimming pools, spas, or any contained water basin in contact with people per NEC Article 682.)

## UNDER REVIEW FOR WILDLIFE LIGHTING CERTIFICATION PROGRAM

The Wildlife Lighting Certification Program has been suspended since 2020 due to COVID-19 and remains closed at the time of this publication. This item has been submitted to be reviewed when the program resumes.





# WILDLIFE LIGHTING CERTIFIED PRODUCTS

Product	Certification Number	Product Category	Installation Requirements
<b>Micro G4 Amber</b>	2018-036	Certified Bulbs	<ul style="list-style-type: none"> <li>Must be installed in a low mounted, downward directed and shielded fixture</li> </ul>
<b>MR8 Amber</b>	2018-036	Certified Bulbs	<ul style="list-style-type: none"> <li>Must be installed in a low mounted, downward directed and shielded fixture</li> </ul>
<b>MR11 Amber</b>	2018-036	Certified Bulbs	<ul style="list-style-type: none"> <li>Must be installed in a low mounted, downward directed and shielded fixture</li> </ul>
<b>AR11 Amber</b>	2018-036	Certified Bulbs	<ul style="list-style-type: none"> <li>Must be installed in a low mounted, downward directed and shielded fixture</li> </ul>
<b>MR16 Amber</b>	2018-036	Certified Bulbs	<ul style="list-style-type: none"> <li>Must be installed in a low mounted, downward directed and shielded fixture</li> </ul>
<b>PAR36 Amber</b>	2018-036	Certified Bulbs	<ul style="list-style-type: none"> <li>Must be installed in a low mounted, downward directed and shielded fixture</li> </ul>
<b>Amber Strip Light</b>	2018-036	Bullet/Tape/Bullet LED Lights	<ul style="list-style-type: none"> <li>Must be installed with the approved integrated Amber LED</li> <li>Must be installed in a low, shielded location and directing the light downward and away from the beach</li> </ul>
<b>Amber Light Bar</b>	2019-270	Bullet/Tape/Bullet LED Lights	<ul style="list-style-type: none"> <li>Must be installed with the approved integrated Amber LED</li> <li>Must be installed in a low, shielded location and directing the light downward and away from the beach</li> <li>If used in a fixture, the fixture must meet the FWC Lighting Guidelines for the appropriate fixture type</li> </ul>
<b>Bryce Hanging Down Light</b>	2019-269	Certified Ceiling Mount Fixtures	<ul style="list-style-type: none"> <li>Amber LED</li> <li>Must be installed below structures</li> <li>Allowed on the ground floor only, unless on the landward side of the structure</li> <li>Additional shielding may be necessary if visible from the beach</li> </ul>
<b>Sequoia Path Light</b>	2019-268	Certified Walkway Lighting	<ul style="list-style-type: none"> <li>Amber LED</li> <li>Must be downward directed</li> <li>Maximum mounting height of 24" from the ground</li> <li>Additional shielding may be necessary if visible from the beach</li> </ul>
<b>Zion Path Light</b>	2019-267	Certified Walkway Lighting	<ul style="list-style-type: none"> <li>Amber LED</li> <li>Must be downward directed</li> <li>Maximum mounting height of 24" from the ground</li> <li>Additional shielding may be necessary if visible from the beach</li> </ul>

# UNDER REVIEW WHEN THE PROGRAM RESUMES

The Wildlife Lighting Certification Program has been suspended since 2020 due to COVID-19 and remains closed as of the time of this publication. The following items have been submitted to Wildlife Lighting Certification Program to be reviewed when the program resumes.

Product	Status	Light Source	Light Source Approved Under Certification Number
<b>Tee Wall Washer in Amber</b>	Under Review	Amber Light Bar	2019-270
<b>Surface Mount Wall Wash in Amber</b>	Under Review	Amber Light Bar	2019-270
<b>Redwood Path Light with Micro G4 Amber</b>	Under Review	Micro G4 Amber	2018-036
<b>Everglades Area Light with Micro G4 Amber</b>	Under Review	Micro G4 Amber	2018-036
<b>1.5W Mini Beam + Stake &amp; Shield in Amber</b>	Under Review	Integrated into Fixture	N/A
<b>Adjustable Aquabeam in Amber</b>	Under Review	Integrated into Fixture	N/A

# LAMP & CONTROL WARRANTY

Brilliance LED, LLC is committed to providing our customers with unparalleled quality and service. Your satisfaction is our goal. To this end, Brilliance LED, LLC warrants and guarantees the following:

## **Brilliance Low Voltage Lamps Carry:**

5-year coverage on: Chameleon G4 Bi-Pin, Chameleon MR16, Chameleon PAR36, Micro G4, MicroT5, Beacon G4, Beacon, Plus G4, Beacon T5, Beacon SCB, Beacon,DCB, Beacon S8, Round G4 Wafer, Rectangle G4 Wafer, MR8, MR11, AR11, MR16, PAR36

3-year coverage on: G4 ECOSTAR, T5 ECOSTAR, SCB ECOSTAR, MR16 ECOSTAR, Blaze G4, Strip Light, Wave Strip Light, Candelabra Edge Filament, S14 Edge Filament

2-year coverage on: Low Voltage Bistro String Reels

## **Brilliance Line Voltage Lamps Carry:**

3-year coverage on: Candelabra Edge Filament, S14 Edge Filament, A19 Edge Filament, Blaze Candelabra

2-year coverage on: Line Voltage Bistro String Light Kits

## **Brilliance Controls Carry:**

Lifetime repair or replacement coverage on all Brilliance Transformers

3-year repair or replacement coverage on all Brilliance Low Voltage Dimmers

3-year replacement coverage on Sector Selectors

2-year coverage on Brilliance Smart Socket 3.0

If any product you purchase from Brilliance LED, LLC fails to perform according to specifications, we ask that you contact us immediately. If the product is found to contain defects of material or workmanship, your account will be credited at current replacement cost or the product will be replaced at no charge to you. The corresponding credit memo must be used within 6 months. No cash refunds will be issued. Notwithstanding the foregoing, Brilliance LED, LLC reserves the right to inspect any returned/exchanged product for defects.

**This warranty covers** purchases made from authorized Brilliance distributors. **This warranty does not cover purchases made from third-party resellers.**

**This warranty does not cover** mishandling, abuse, cosmetic damage, or damage due to acts of God, misuse, negligence or modification to any part of the product. **This warranty does not cover** damage due to failure to follow directions regarding operation of the product and also **does not cover** connection to improper power-supply (more than 24 volts), lightning strike, hot-plugging (electrical overstress), other power surges, any other primary side (line voltage) problem, or attempted repair by anyone other than a facility authorized by Brilliance LED, LLC to repair the product. **Special order items** carry a credit-only option for warranty.

**This warranty does not cover water damage.** This warranty specifically disclaims any damage done to user equipment. In no event shall Brilliance LED, LLC be responsible for removal or re-installation of any product or for the expenses associated thereof. This warranty is given only to the original end user customer and may not be assigned or transferred to anyone else. It is the purchaser's obligation to retain proof of purchase documentation which shows the date of purchase. Brilliance LED, LLC will not warrant any defective product that has had its date of manufacture or other such pertinent information altered or removed.

Brilliance LED, LLC assumes no responsibility for labor costs involved in repair or replacement. We are not responsible for labor, down-time, or equipment rental charges for on-site service.

Brilliance LED, LLC asks its distributor network to take a commonsense approach examining any faulty product and to use best judgment for replacement. Brilliance LED, LLC warrants to the purchaser that Brilliance LED lamps and controls will be free from defect in material and workmanship from the date of purchase.

**To submit a warranty claim visit [brillianceled.com/info](http://brillianceled.com/info) and click the "RGA FORM" button to download the Excel document, then send the completed warranty RGA forms to: [warranty@brillianceled.com](mailto:warranty@brillianceled.com)**

Warranty terms are subject to change without notice. Brilliance LED, LLC also reserves the right to modify these warranty terms in order to comply with policy or laws governing warranty issues in states or countries having specific remedies differing or additional to those described within this document.

# FIXTURE WARRANTY

Brilliance Metal Works is committed to providing our customers with unparalleled quality and service. Your satisfaction is our goal. All warranty periods begin on the ship date. To this end, Brilliance Metal Works warrants and guarantees the following:

## **Brilliance Metal Works Fixtures Carry:**

A lifetime repair or replacement coverage on all:

Brass and Copper fixtures  
Brilliance Organics fixtures  
(excludes o-ring and socket)  
Gutter Mount accessory

10-year repair or replacement coverage on  
all Aluminum fixtures

5-year coverage on light engines  
(i.e. Light Bar/Ozark/Cascade/Tee Wall Wash)

2-year coverage on Roswell Solar Path Lights

10-year coverage on Biscayne, Yosemite, Eco Series

At the company's discretion, broken glass may  
be covered to be repaired or replaced

## **All Underwater Fixtures Carry:**

A lifetime warranty on the Brass housing and a 5-year  
warranty that covers all internal components at a  
maximum depth of up to 10' (3m).

A 5-year warranty on the Aluminum housing, as well as  
a 5-year warranty that covers all internal  
components at a maximum depth of up to 10' (3m).

\*Not to be used in pool and spa rated areas or harsh  
water conditions (i.e. over chlorinated fountains).

**This warranty covers** purchases made from authorized Brilliance distributors. **This warranty does not cover purchases made from third-party resellers.**

**This warranty does not cover** mishandling, abuse, cosmetic damage, or damage due to acts of God, misuse, negligence or modification to any part of the product. This warranty **does not cover** damage due to failure to follow directions regarding the operation or installation of the product, and also **does not cover** connection to improper power-supply (more than 24 volts), lightning strike, hot-plugging (electrical overstress), other power surges, any other primary side (line voltage) problem, or attempted repair by anyone other than a facility authorized by Brilliance LED, LLC to repair the product.

**This warranty does not apply** to optional finishes. Should optional refinishing be required, charges will apply.

**This warranty does not cover** shipping for returns or repairs. Shipping and handling charges, both ways, are the responsibility of the sender.

Brilliance Metal Works assumes no responsibility for labor costs involved in repair or replacement. We are not responsible for labor, down-time, or equipment rental charges for on-site service.

Your product will be repaired or replaced at our discretion and promptly returned to you via common carrier of our choice. Average repair time from time of receipt is 7-10 business days, however times may vary. Should signature be required at time of delivery, please notify us at the time of RGA request. If a defective fixture is outdated and/or discontinued, it will be repaired if possible.

No other warranties or guarantees, either expressed or implied, exist beyond the stated warranties herein. No employee or agent of Brilliance Metal Works may extend, modify, and/or change the terms of these warranties.

Under no conditions will Brilliance Metal Works be liable for any incidental, consequential, special or money damages in connection with any breach of its aforementioned warranties.

**To submit a warranty claim, visit [brillianceled.com/info](http://brillianceled.com/info) and click the "METAL WORKS RGA FORM" button to download the Excel document, then send the completed warranty RGA forms to: [warranty@brillianceled.com](mailto:warranty@brillianceled.com)**

Warranty terms are subject to change without notice. Brilliance LED, LLC also reserves the right to modify these warranty terms in order to comply with policy or laws governing warranty issues in states or countries having specific remedies differing or additional to those described within this document.





**BRILLIANCE**<sup>™</sup>  
A HIGHER LIGHT FORM<sup>®</sup>



For authorized distributors near you  
that offer Brilliance products, visit:

**[www.brillianceled.com/purchase](http://www.brillianceled.com/purchase)**

Please email product orders to:

**[orders@brillianceled.com](mailto:orders@brillianceled.com)**

For sales representatives in your area, visit:

**[www.brillianceled.com/contact](http://www.brillianceled.com/contact)**



**BrillianceLED.com**

7202 E Cave Creek Rd, Suite 3A  
P.O. Box 2281 Carefree, AZ 85377

phone: 800.867.2108

fax: 480.575.0078